

WE BRIGHTEN YOUR BRANDS

Advanced LED lighting systems for
Petroleum and C-Store Markets



SloanLED[®]
Leaders in LED Technology



Our innovative LED lighting systems drive more traffic and energy savings

Over 50 Years of Lighting Brilliance

SloanLED was founded in 1957 to deliver reliable lighting solutions to the aerospace and automotive industries.

Since pioneering LED technology in the early '70s, SloanLED has led the industry in delivering best-in-class LED lighting systems. We are trusted experts in retail display, outdoor area and signage, with lights specified in programs in many of the top petroleum retailers World Wide.

- World-class lighting systems design experience
- Proven reliability spanning decades
- Industry-leading support and service

Get the Competitive Edge: Superior Lighting Drives Sales

We combine a deep understanding of brand and technology to deliver a product that is invisible to the customer, but meaningful to your bottom line. Unlike outmoded fluorescent and HID systems, SloanLED lighting delivers crisp, uniform illumination that brings out your brand in a way that catches the discerning eye of the customer.

- Safe, inviting environment attracts traffic to the site
- Crisp, vibrant colours increase appeal of consumer goods inside the store
- Overall store presentation is updated and improved

Unmatched Ease of Installation

Our reputation is built on simple, easy installation to minimize labor, accessories, and cost.

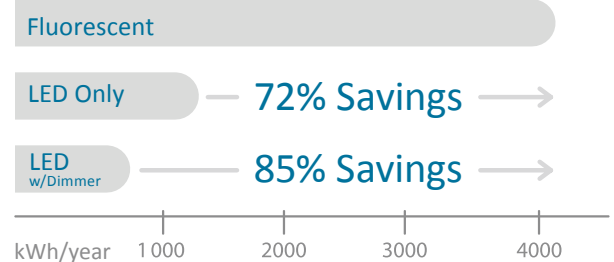
- Simple, secure mounting reduces install cost
- Refrigerated product, shelves, and racks remain in place
- Less coordination and preparation work required
- Minimal wire cutting and splicing

Outstanding Savings

As energy specialists, SloanLED can help you reach your energy targets and ROI goals with remarkable effectiveness.

- High-efficiency lighting saves energy
- Easy installation and retrofit makes conversion to LED lighting a snap
- Long LED lifespan eliminates cost of frequent lamp replacement
- Optional dimming control increases energy savings and extends LED life

Savings Example – Refrigerated Display Lighting



Superior Durability

SloanLED has over 50 years of experience manufacturing high-reliability lighting systems.

- Harsh environment chamber testing on all products
- Longer product life eliminates frequent lamp replacement
- Improved safety – no hot bulbs, broken glass, hazardous materials, or high voltage



As much as **85% energy savings** compared to incumbent technology

Progressive Series™



Pole Mount Light

Down Light 3



Outdoor Area Products and Applications

Progressive Down Light 3

Fuel canopies

Progressive Down Light 3 for petroleum canopies is a 1-for-1 upgrade of existing canopy lights. This luminaire continues to set new standards with its revolutionary design, very high efficiency, optimized radiation pattern, and slim profile.

- Directs light to the dispensers with a smooth transition away from the canopy to prevent glare
- Installs with one person and does not require site surveys or additional mounting equipment
- **Saves up to 85% energy compared with typical HID fixtures**



Progressive Pole Mount Light

Parking areas

Progressive Pole Mount Light is specifically designed to replace up to 400 W HID fixtures mounted on round and square poles. The radiation pattern is ideal for parking lots and customer traffic.

- Increases visibility at entrances and from perimeters to the store and canopy
- Mounts without requiring access inside the pole and self-suspends while wiring
- Installs on poles up to 8 meters
- **Saves up to 73% energy compared with typical HID fixtures**



HighLINER 2

Soffits / wall washes

HighLINER 2 is designed to replace fluorescent in applications such as wall washes and soffit lighting. HighLINER 2 is easy to install and is a simple solution to save energy and reduce ongoing maintenance costs.

- Improves walkway and building aesthetics
- Fits easily into new or existing soffits
- **Saves up to 64% energy compared with typical fluorescent fixtures**

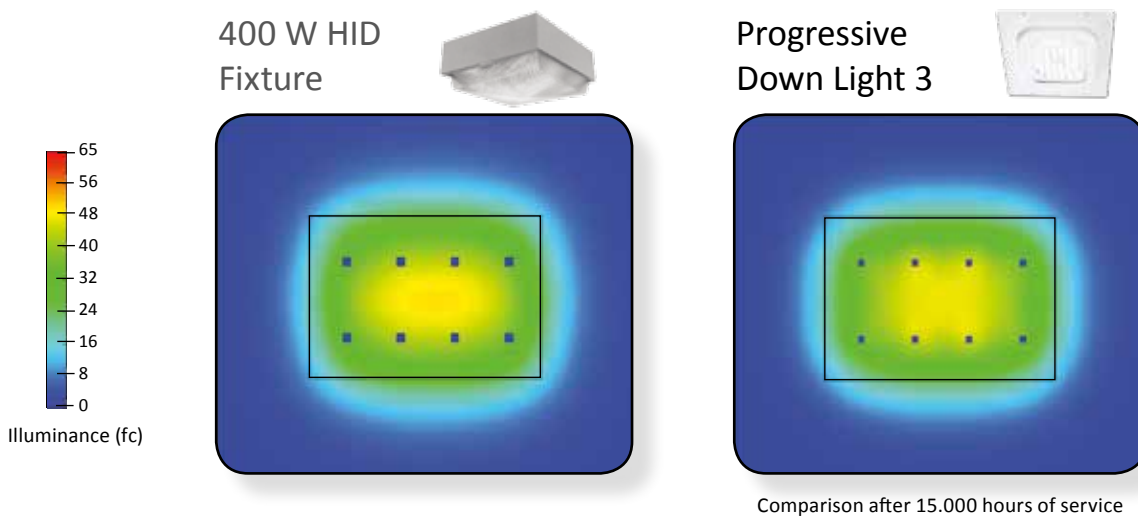


Capture your customers' attention and save money

Progressive Series™ outdoor area LED lighting systems capture customer attention with consistent and bright illumination, in addition to providing sizeable energy savings over non-LED fixtures.

Even Light Distribution

The **Progressive Down Light 3** is designed to replace or mount to an existing fixture. Illustrated below is a comparison of a 400 W HID fixture and the Progressive Down Light 3 on a standard 4.6 m high canopy with eight lights. The illuminance patterns show the ability of the SloanLED Progressive Down Light 3 to achieve the same light levels.



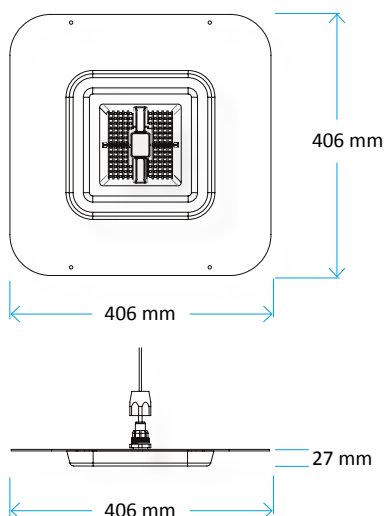
While absolute light levels are similar, the colour spectrum (often characterized by colour temperature and colour rendering) emitting from Progressive Series lighting systems adds clarity and brilliance to brand logos, background colours, and promotional displays.

Seeing is Believing!



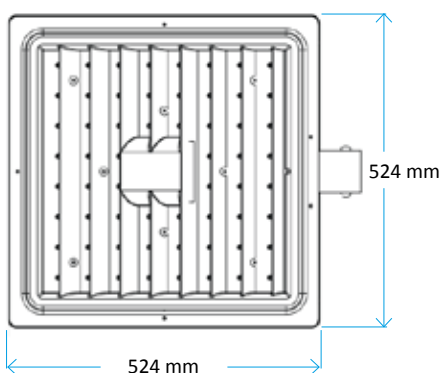
Outdoor Area Products and Applications

Progressive Down Light 3



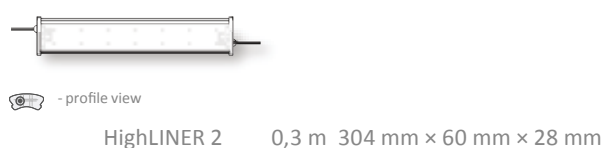
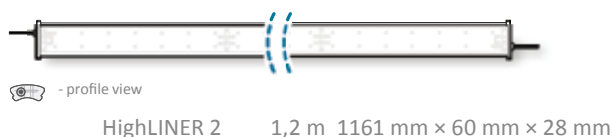
Input voltage	100-277 VAC, 50-60 Hz
System power	125 W, 100 W, 75 W (input)
Light output	8.900 Lumens (75 W), 11.500 Lumens (100 W), 13.750 Lumens (125 W).
Light distribution	Symmetric (Type 5)
Colour	5000 K
System efficacy	118 lm/W (75 W), 115 lm/W (100 W), 110 lm/W (125 W)
CRI (Typical)	70
Ingress Protection (IP)	IP68
Operating temperature	-30° C to 60° C (75 W)
Life rating	100.000 Hours (L ₇₀)*
Agency listings	UL listed, CE, DLC, ENEC

Progressive Pole Mount Light



Input voltage	100-277 VAC, 50-60 Hz
System power	115 W, 140 W (input)
Light output	8250 Lumens (115 W), 9100 Lumens (140 W)
Light distribution	Asymmetric (Type 3)
Colour	5300 K
CRI (Typical)	70
Ingress Protection (IP)	IP68
Operating temperature	-30° C to 70° C
Life rating	100.000 Hours (L ₇₀)*
Agency listings	UL listed, CE pending, DLC

HighLINER 2



LED output voltage	24 VDC
System power	1,2 m 17 W (input AC) 0,3 m 4 W (input AC)
Light output	1,2 m 1792 Lumens 0,3 m 448 Lumens
Colour	5000 K
CRI (Typical)	70
Ingress Protection (IP)	IP68
Life rating	100.000 Hours (L ₇₀)*
Agency listing	UL, ETL, CE, UL (NSF/ANSI 2), RoHS

* Based on LED component manufacturer data

A photograph of a grocery store's chilled food section. The image shows several glass-fronted refrigerated display cases filled with various products like milk, juice, and condiments. A sign above the cases reads "Chilled y...". A large blue circular overlay is positioned in the center-right of the image, containing white text. The floor is made of light-colored square tiles.

**SloanLED
lighting systems use
cutting edge LED
technology to
combine efficiency,
performance, and
value for state of the
art merchandising**

Refrigerated Display Products and Applications

Cold Door 2

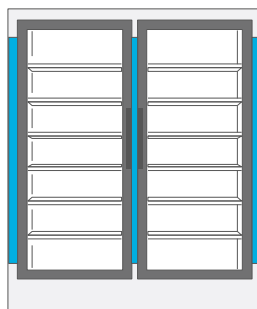
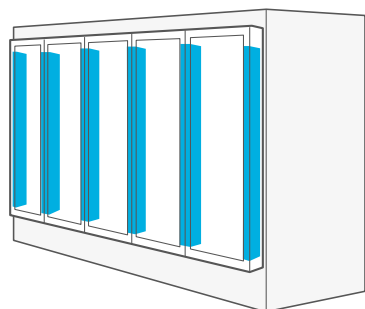
Cooler doors

Cold Door 2 lighting system provides crisp, uniform illumination across doors for walk-in coolers/freezers and remote glass-door reach-ins. Adapts to varying case styles and shelf depths.

- Illuminates product facings at narrow beam angles while reducing glare
- Powers up to a 5-door frame with a single power supply
- **Up to 85% total energy savings over typical fluorescent fixtures**



Up to 85% total energy savings over non-LED fixtures

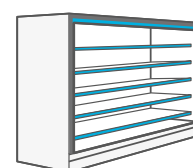
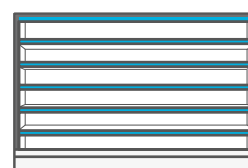


Cold Deck

Multi-deck merchandisers

Cold Deck lighting system is designed to optimize visual appeal of produce, meat, and dairy cases (multi-deck merchandisers). Extends shelf life of perishables through reduced heat output.

- Eliminates the need to de-merchandise cases while upgrading
- Illuminates product facings with crisp, uniform light dispersion
- **Up to 77% energy savings compared with typical fluorescent fixtures**



HighLINER 2

Overhead coolers and stock rooms

HighLINER 2 is designed to replace fluorescent in applications such as stock rooms and inside coolers. HighLINER 2 is easy to install and is a simple solution to save energy and reduce ongoing maintenance costs.

- Improves walkway and aisle visibility
- Mounts easily to interior surfaces
- **Saves up to 64% energy compared with typical fluorescent fixtures**



Ultra high efficient light minimizes the number of luminaires required

Illuminating the Shopping Experience

Superior light colour rendering and dispersion is critical to bringing out the vivid colours of your products. The SloanLED Cold Door 2 and Cold Deck lighting systems enliven beverages, quick snacks, and deli displays with brilliant, uniform light that invites shoppers to engage and buy. Colour temperature of the lighting can be selected to best fit your store and display.

Before (Fluorescent)



SloanLED

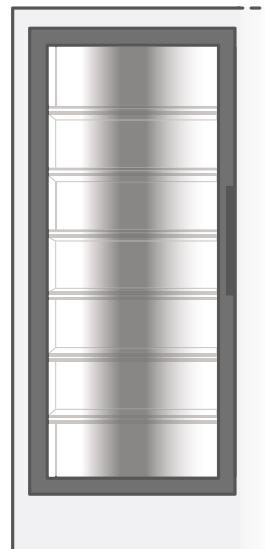


The Power of Uniform Lighting

In cold door displays, fluorescent and other LED lighting systems direct a large amount of light near the edges of the door (behind the mullions). This increases the difference between the amount of light at the center compared with the edges, often referred to as "contrast ratio". A high contrast ratio causes the human eye to perceive the section down the middle to be darker as it adjusts to the intensity of the light on the edges.

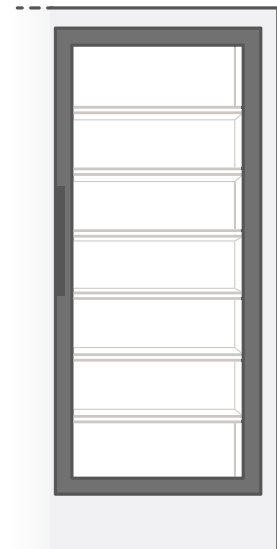
The SloanLED Cold Door 2 lighting system is designed to provide bright, uniform light across the fronts of cooler doors making refrigerated merchandise sparkle and shine.

Competitor



High Contrast Ratio
Limited center illumination

SloanLED



Low Contrast Ratio
Even illumination

Cold Door 2



- profile view

1,5 m Center 1465 mm × 71 mm × 29 mm

1,8 m Center 1769 mm × 71 mm × 29 mm



- profile view

1,5 m End 1465 mm × 51 mm × 29 mm

1,8 m End 1769 mm × 51 mm × 29 mm

LED output voltage	24 VDC
Illuminance	1950 lux ¹
Colour	3500 K, 4000 K, 5000 K
CRI (Typical)	85
Ingress Protection (IP)	IP66
Life rating	100.000 Hours (L ₇₀)*
Agency listing	UL, UL (NSF/ANSI 2), DLC

¹ Measured at center of door, at shelf depth of 92 mm from mullion at standard power setting

System Power

Item	Energy Saver	Standard	MerchandiseMax
1,5 m Center	10 W	15 W	20 W
1,5 m End	6 W	9 W	11 W
1,8 m Center	13 W	19 W	25 W
1,8 m End	8 W	11 W	13 W

Cold Deck



- profile view

Canopy 900 mm 865 mm × 52 mm × 50 mm
1200 mm 1170 mm × 52 mm × 50 mm



- profile view

Shelf 900 mm 865 mm × 23 mm × 16 mm
1200 mm 1170 mm × 23 mm × 16 mm

LED output voltage	24 VDC	
System power	900 mm	1200 mm
	Canopy	17 W 23 W
	Shelf	6 W 8 W
Illuminance	Canopy	1000 lux ¹
	Shelf	1800 lux ²
Colour	2700 K, 3500 K, 4000 K	
CRI (Typical)	85	
Ingress Protection (IP)	IP68	
Life rating	100.000 Hours (L ₇₀)*	
Agency listing	UL, CE, UL (NSF/ANSI 2), DLC	

¹ Canopy measured at 1350 mm from light
² Shelf measured at 300 mm from light

HighLINER 2



- profile view

HighLINER 2 1,2 m 1161 mm × 60 mm × 28 mm



- profile view

HighLINER 2 0,3 m 304 mm × 60 mm × 28 mm

LED output voltage	24 VDC	
System power	1,2 m	17 W (input AC)
	0,3 m	4 W (input AC)
Light output	1,2 m	1792 Lumens
	0,3 m	448 Lumens
Colour	5000 K	
CRI (Typical)	70	
Ingress Protection (IP)	IP68	
Life rating	100.000 Hours (L ₇₀)*	
Agency listing	UL, ETL, CE, UL (NSF/ANSI 2), RoHS	

* Based on LED component manufacturer data

Supporting a brighter future, one store at a time

SloanLED is proud to deliver environmentally friendly lighting solutions

- Significant energy cost savings
- Standardized low-voltage systems
- RoHS-, Reach- and ECA- compliance
- Recycled/recyclable packing materials
- Mercury-free illumination
- Utility rebates/incentives



SloanLED.com • info@SloanLED.com

SloanLED Corporate Headquarters
Toll-Free 888.747.4LED • Tel 805.676.3200 • Fax 805.676.3206

SloanLED Europe
Overslagweg 7 • 2645 EK Delfgauw • The Netherlands
Tel: +31 15 3641569 • Europe@SloanLED.com

Trade names, marks and logos shown are the property of their respective owners. Specifications may change without notice.

© 2014 SloanLED
PN#000730-PCS-EU

Rev EU A 2015-03

